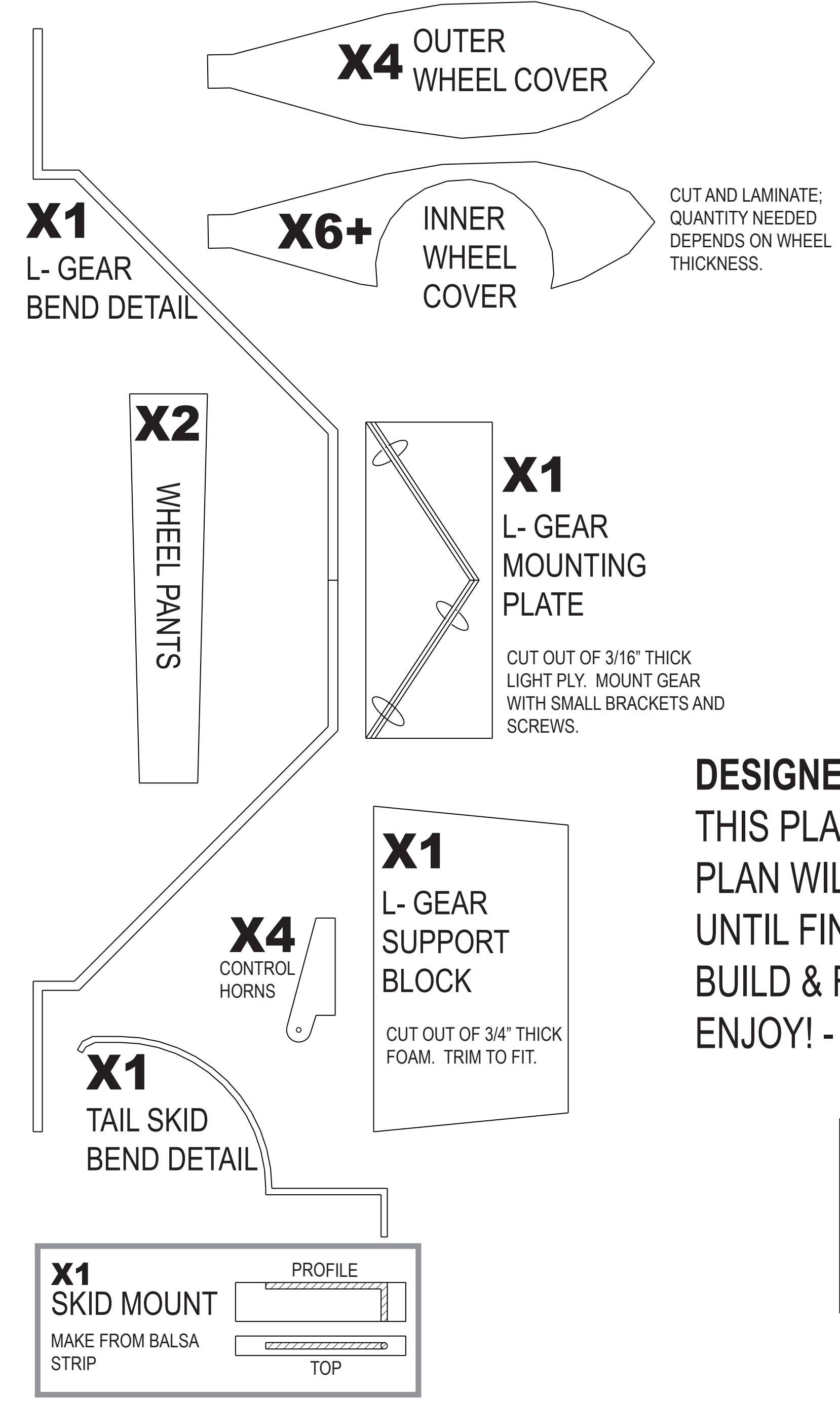
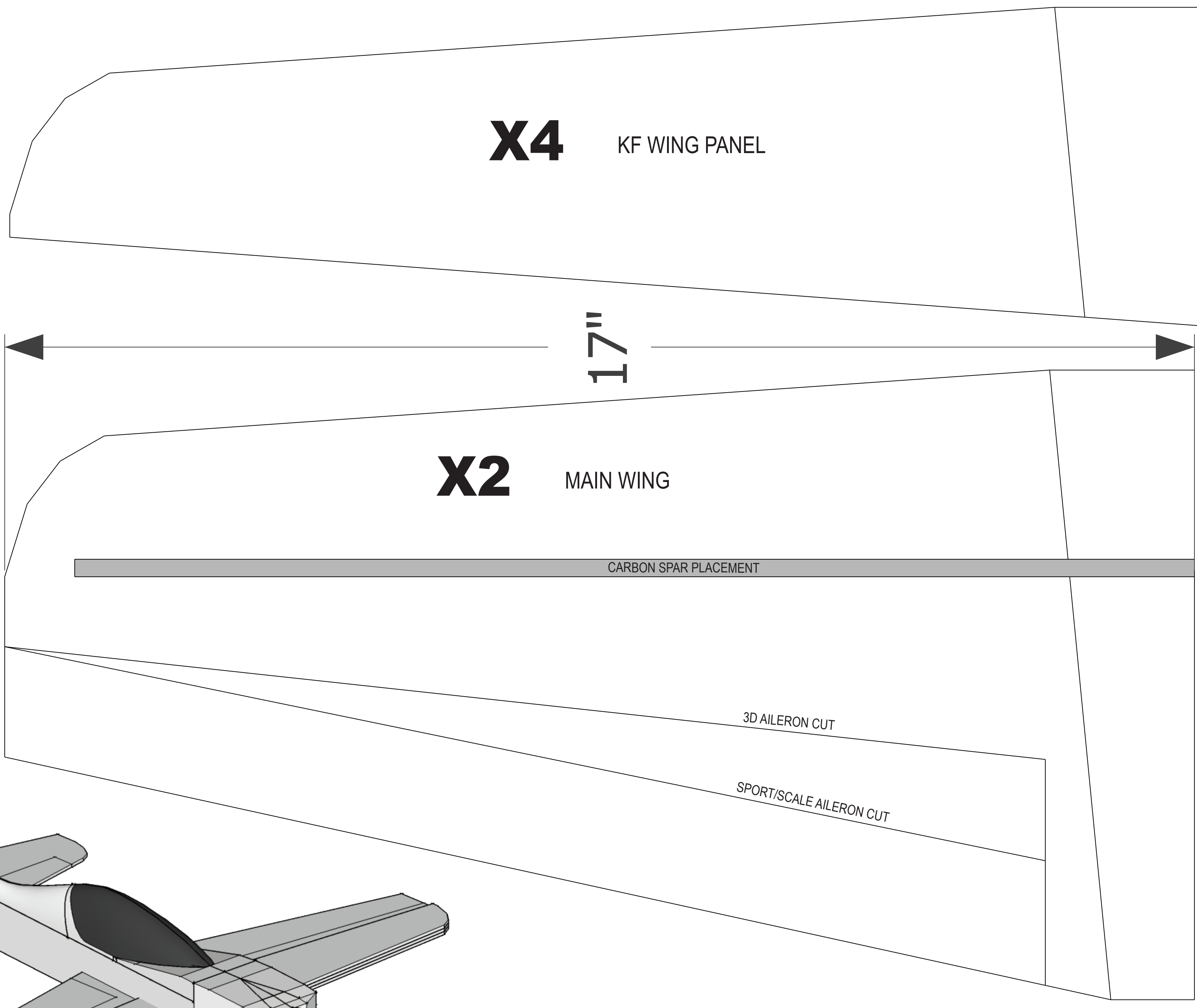
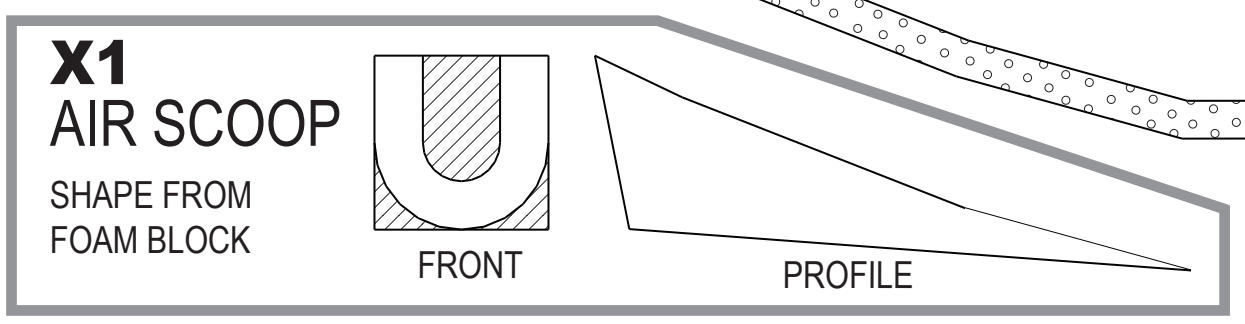
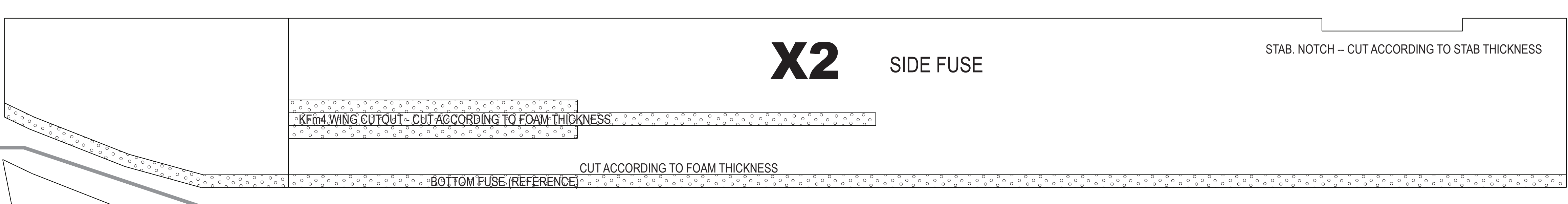
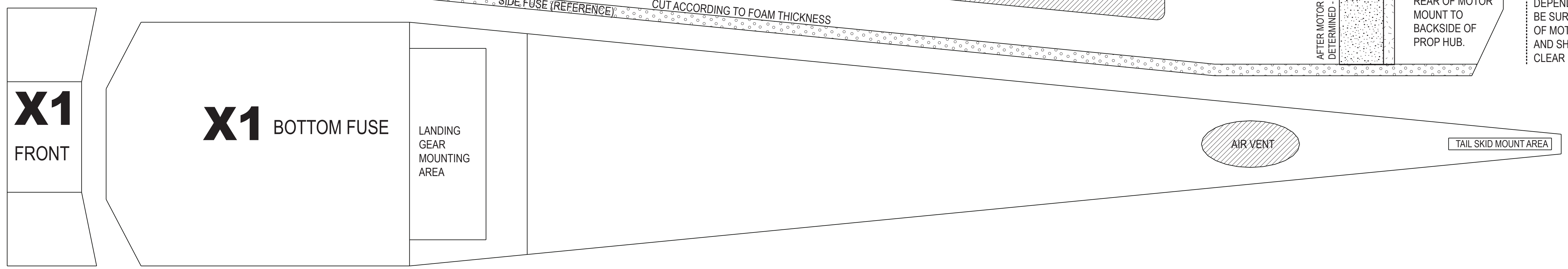
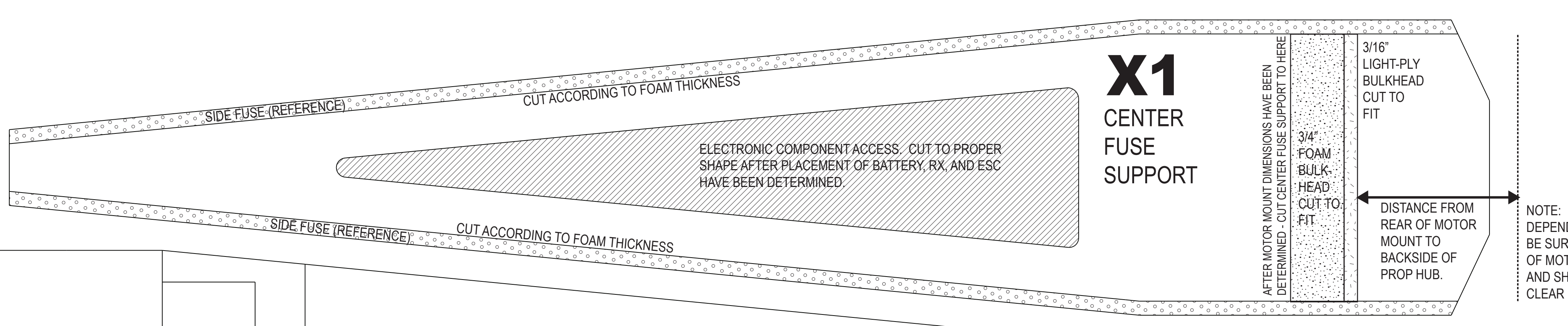
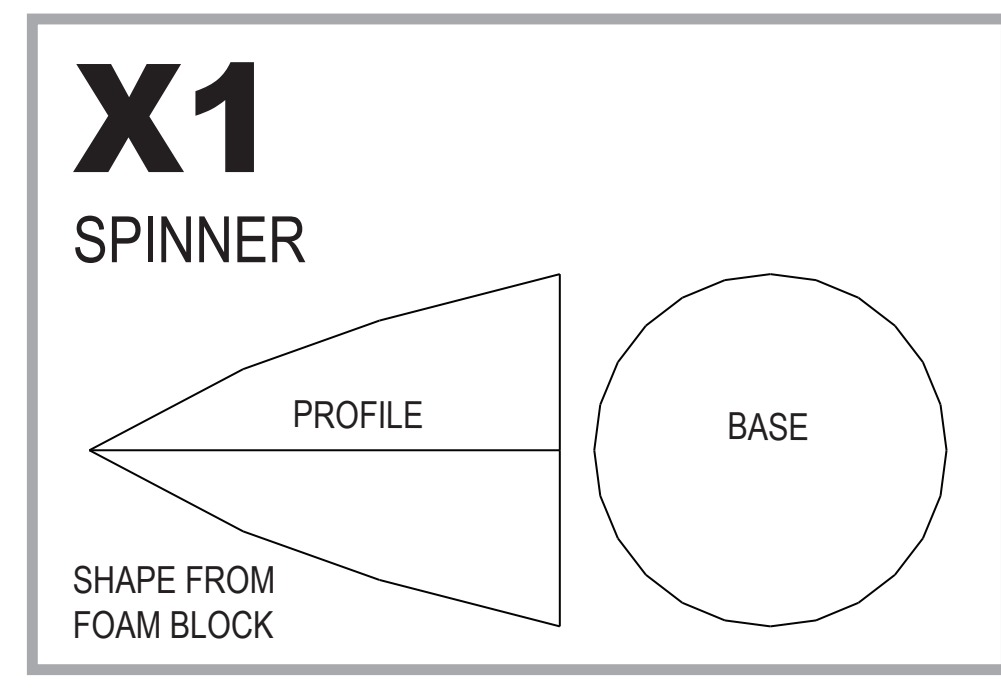
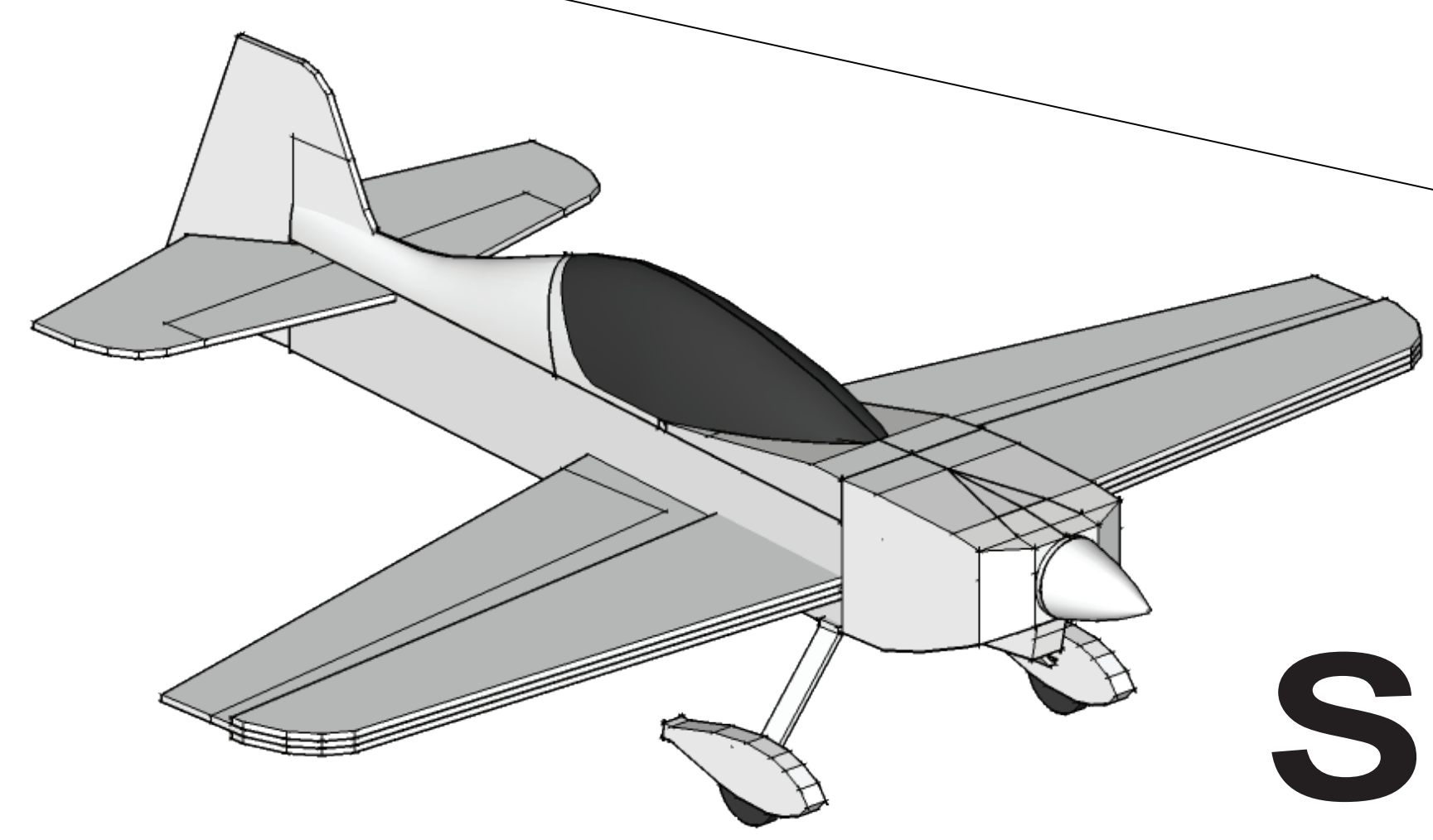


SNICE SBACH 342 - 3D V1 PLAN
 W/S: 34"
 LENGTH: 29"
 AUW: 15.4-18.4OZ
 MOTOR: TBD
 LIPO: 3S; 1000-1800MAH 30C
 CG: 2.5-3.25" AFT OF WING ROOT
 5MM FOAM BOARD - DEPAPERED
 EPS FOAM BLOCKS
 3/4" PINK INSULATION FOAM
 DESIGNED BY: SNICE
 FOR PERSONAL USE ONLY



DESIGNER'S NOTE!!!
 THIS PLAN IS NOT A FINAL VERSION.
 PLAN WILL CONTINUE TO BE UPDATED
 UNTIL FINAL VERSION IS ACHIEVED.
 BUILD & FLY @ YOUR OWN RISK!!!
 ENJOY! - SNICE

SCALE
 THIS SQUARE
 SHOULD
 MEASURE 2" X 2"



SNICE SBACH 342 - 3D V1 PLAN